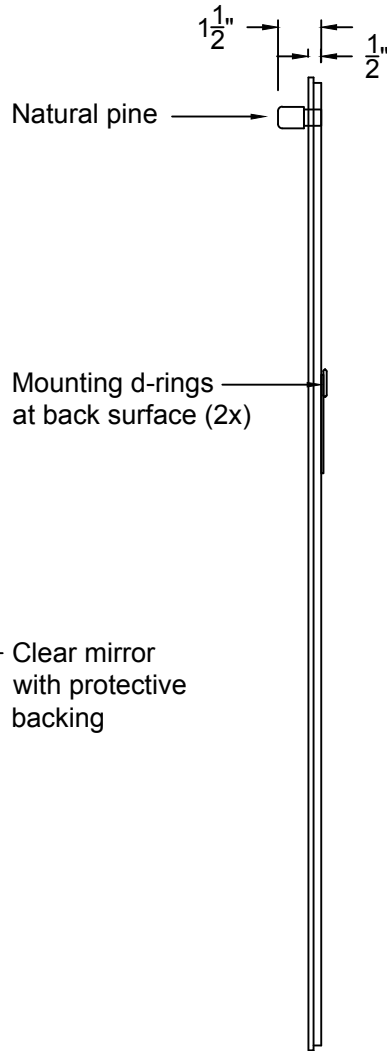
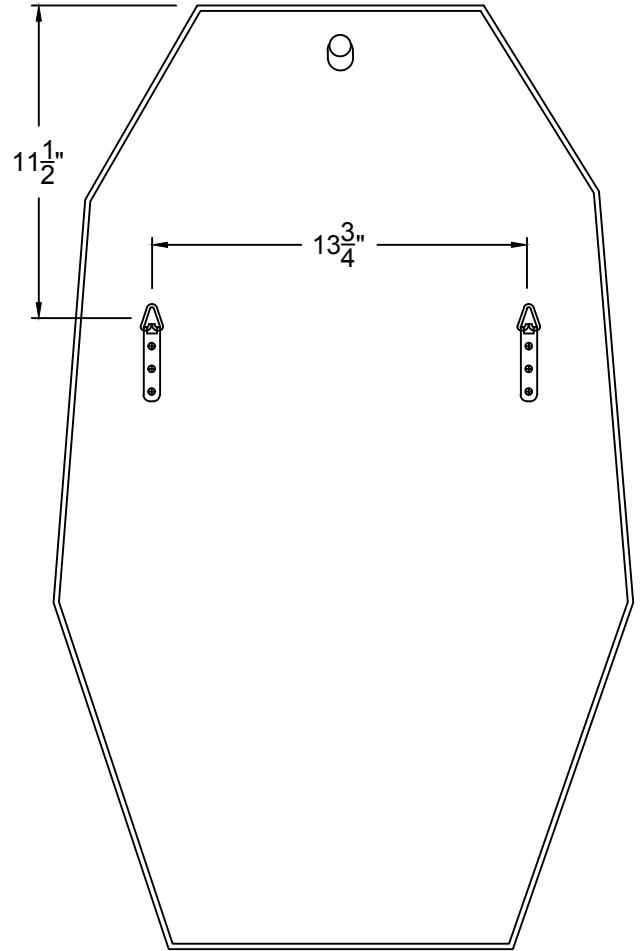


FRONT VIEW



SIDE VIEW



BACK VIEW

Item number:
MT1747

Product name:
Apse

Overall dimensions:
21 1/4"W x 34 1/2"H x 1 1/2"D

RENWIL
EST. 1967