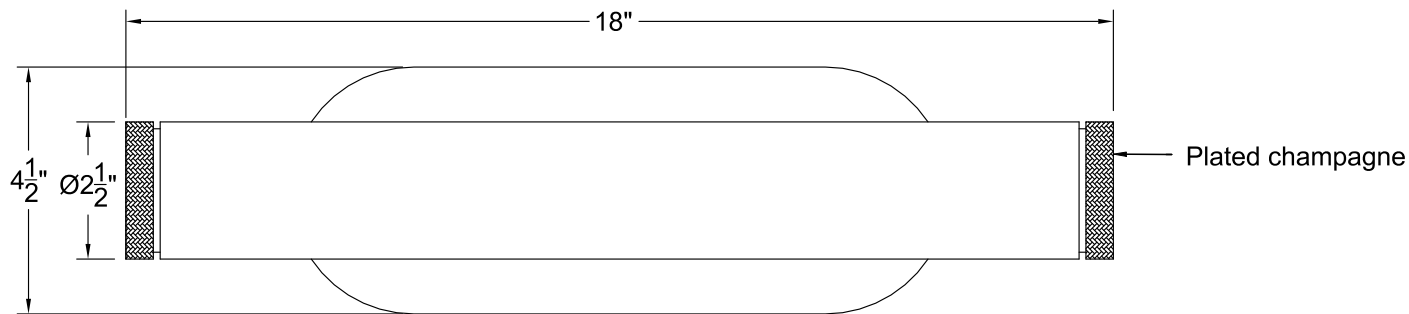
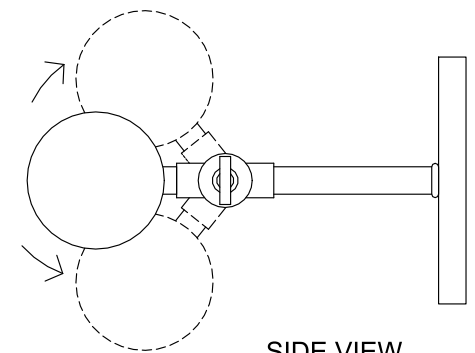


TOP VIEW



SIDE VIEW



Item number:
WS161

Product name:
Opale

Overall dimensions:
18"W x 4 1/2"H x 8 1/4"D



RENWIL[®]
EST. 1967