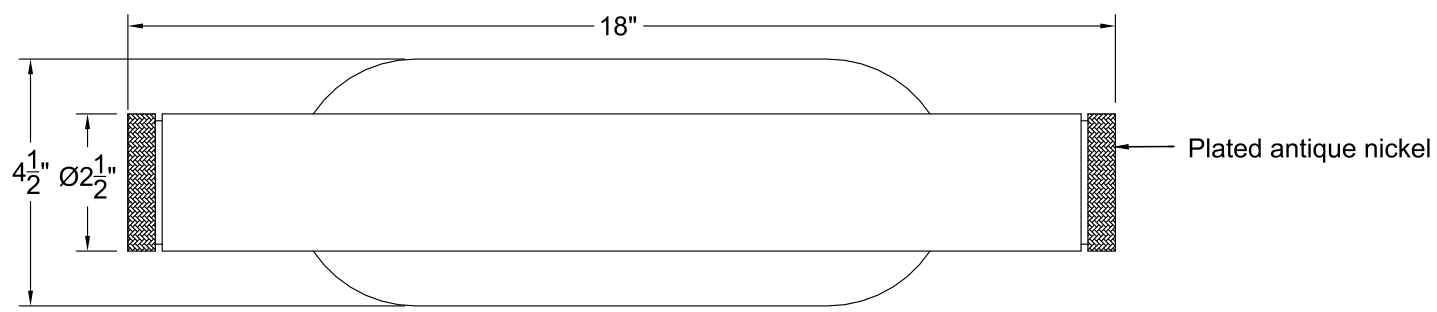
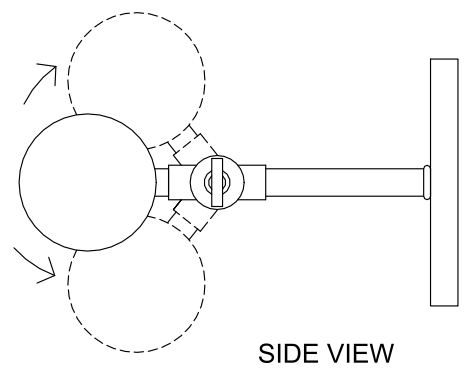


TOP VIEW



SIDE VIEW



Item number:
WS163

Product name:
Rennes

Overall dimensions:
18"W x 4 1/2"H x 8 1/4"D



RENWIL
EST. 1967